

A Cancer in the Family

- Truthiness and Consent
- The adoptee who saved a sib's life
- Who *is* your daddy?

STUDENT ID

GILDA RADNER

06-28-1946

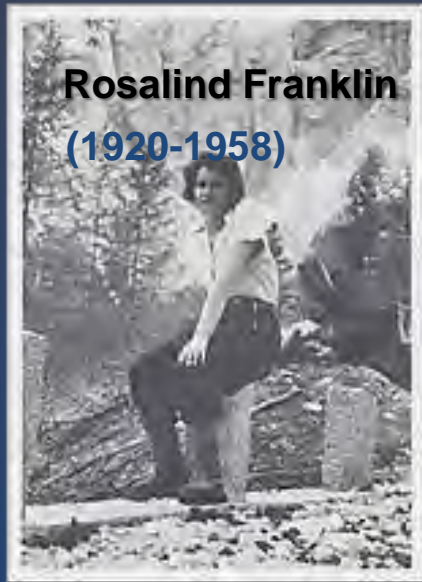
ID NO 4563 9

graduatehotels.com

Graduate
HOTELS



The power of cancer genetics: Inspiration and Prevention



Rosalind Franklin
(1920-1958)



Gilda Radner
1946-1989



The Odd Couple
Lemmon Matthau
1925-99 1921-98

Survivors, Previvors, Strivers

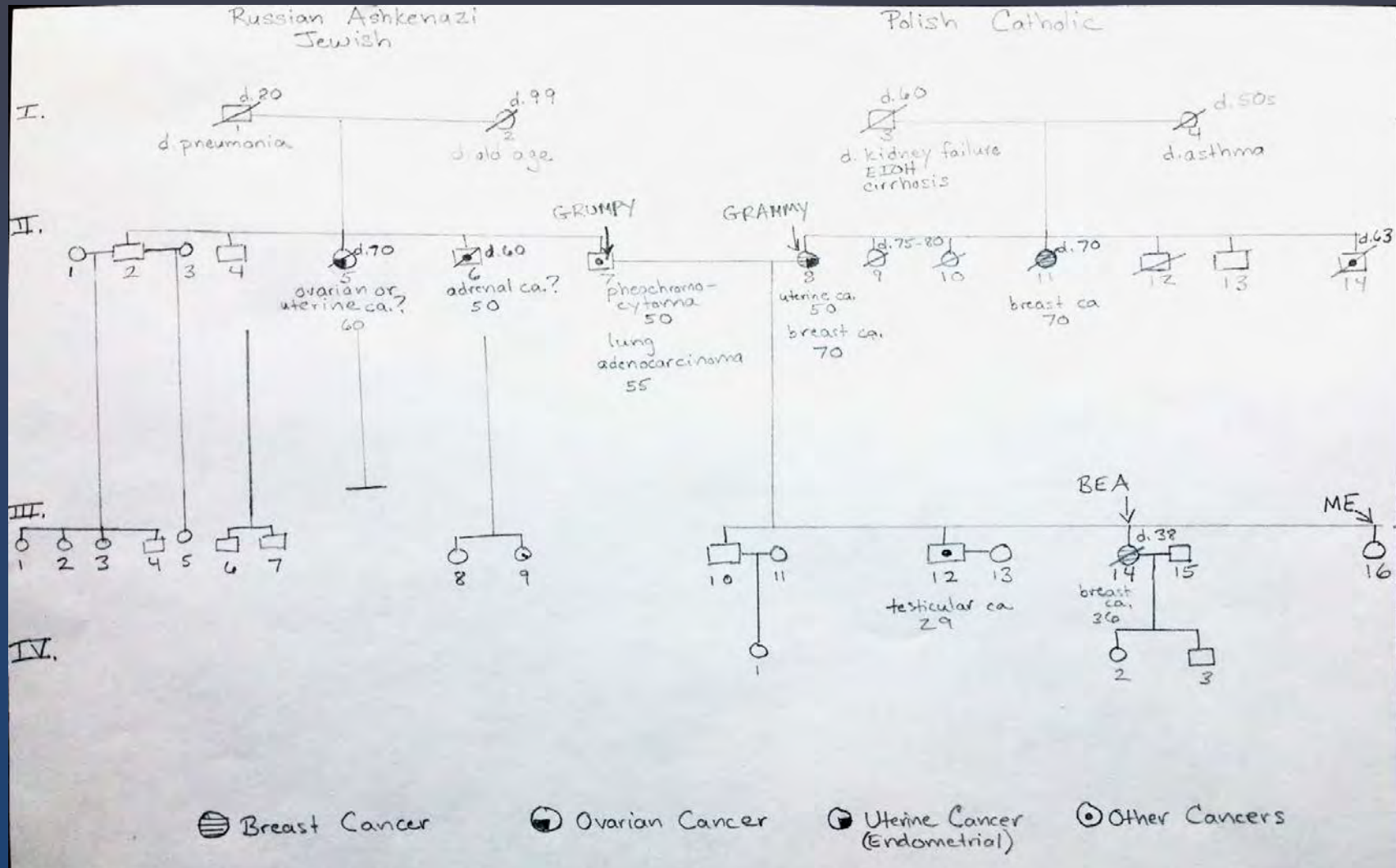


Applegate Jolie

Lynch

Skolnick

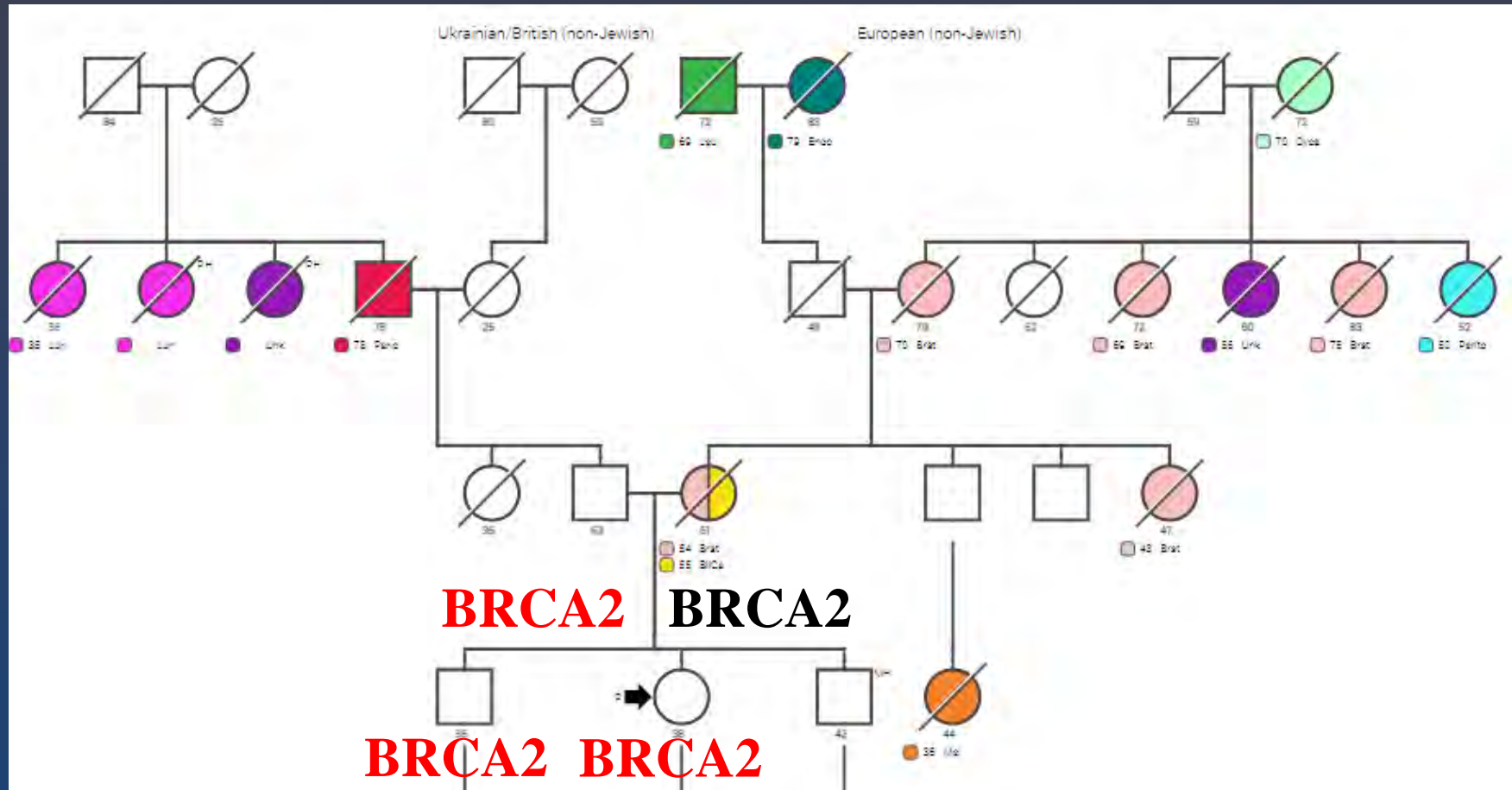
Truthiness and Consent



The adoptee



Who's your daddy?



Retrospective perspective—progress?

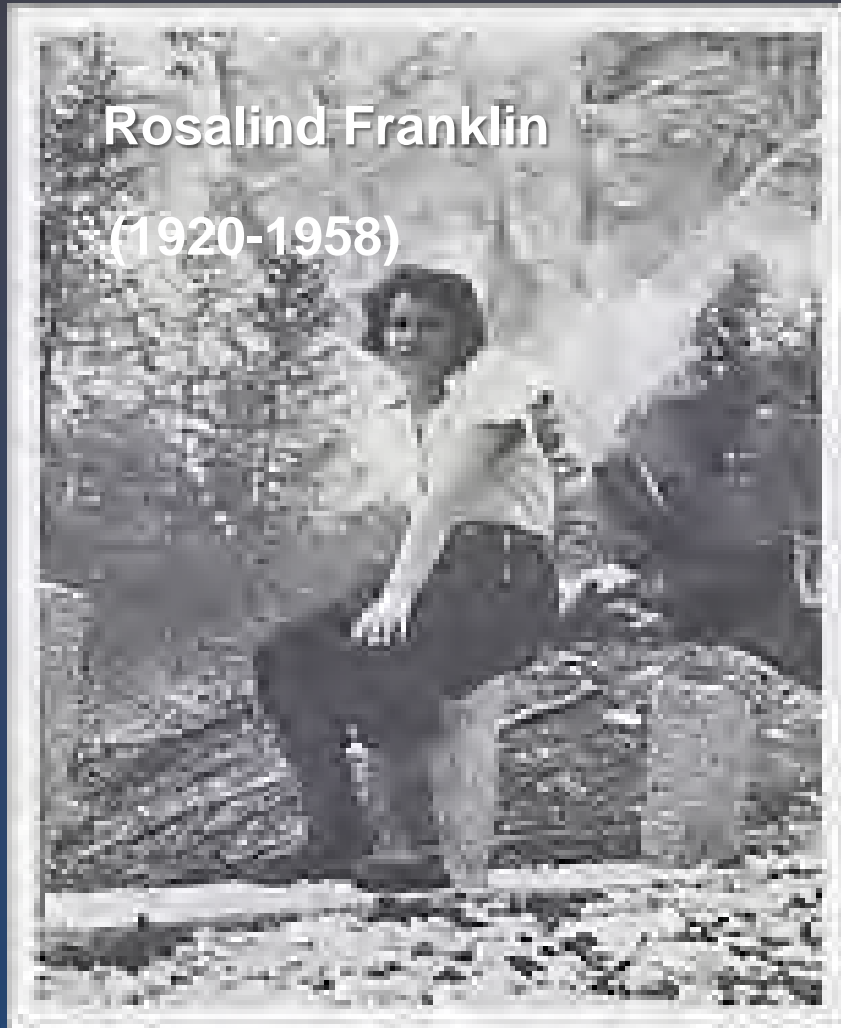


- cloned BRCA1/2 there was no “use”
- 20 years later they are the example of prevention success
- It’s hard to predict the future since it hasn’t happened yet – to quote yogi.... Or

Continue the genetic analysis



It will take 25 years of genetics, mouse models and good patient and family histories to be an overnight success ...yogi Berra



Rosalind Franklin

(1920-1958)

UTSW Team Gene:

Blake Foley
Victoria Mgbemena
Ranjula Wijayatunge
Kelly McCrum
Sam Holmstrom
Gerardo Lopez Perez

Caitlin Mauer
Sara Pirzadeh-Miller
Jacqueline Mersch
Elise Watson
Brian Reys
Sayoni Lahiri
Amber Gemmell
Parker Read
Jordan Berg
Remington Fenter
John Zimmerman
Maggie Clifford
Kelsey Moriarty
Annelise Pace

UTSW Assists:

Marion Stewart-Thomas
Lorraine Stephen
Luisa Hernandez
Charlie Hernandez
Angie Flores
Kathy Pratt

Supporters:

-NIH
-Burroughs Welcome
Fund
-Leukemia and
Lymphoma Society
-Damon Runyon
Foundation
-CPRIT

Myriad Team:

Erin Mundt
Krystal Brown
Susan Manley
Nichole Brown